

# MVHA-2\* / 3\* series

HAND VALVE

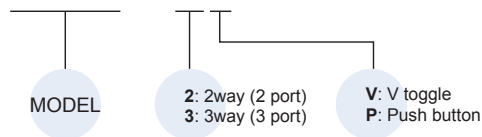


## Specification

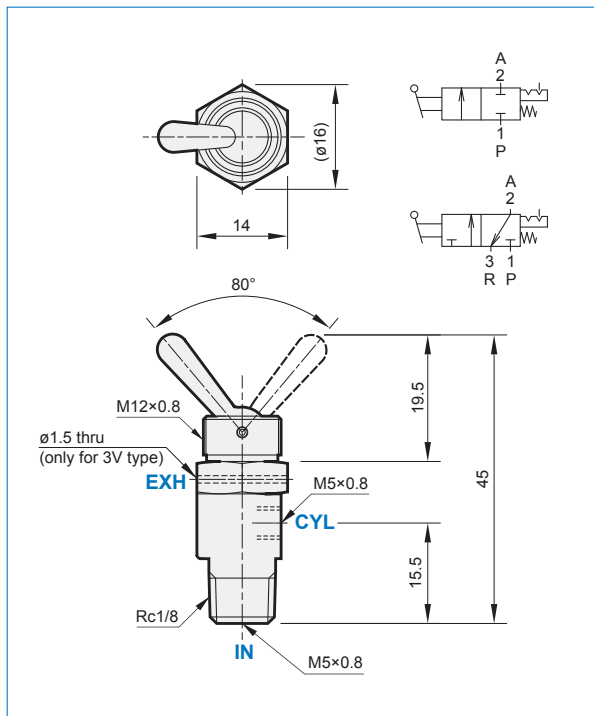
Model	MVHA-2*, 3*
Bore No.	M5
Port size	M5×0.8
No. of port	2 or 3
No. of position	2
Medium	Air
Operating pressure range	0~0.9 MPa
Effective orifice	1.8 mm <sup>2</sup>
Ambient temperature	-5~+60°C (No freezing)
Weight	30 g

## Order example

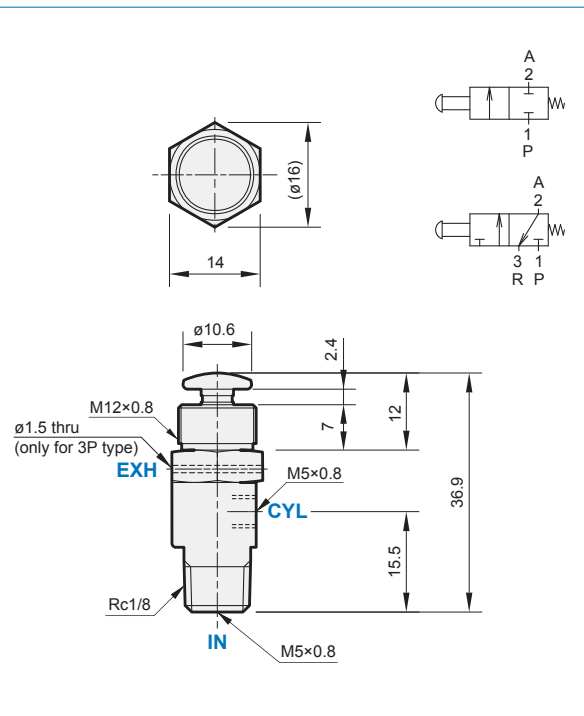
MVHA – 2V



### MVHA-2V/3V



### MVHA-2P/3P



# MVHA-4\* series

HAND VALVE

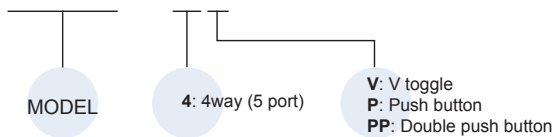


## Specification

Model	MVHA-4V	MVHA-4P	MVHA-4PP
Bore No.	M5		
Port size	M5×0.8		
No. of port	5		
No. of position	2		
Medium	Air		
Operating pressure range	0~0.9 MPa		
Effective orifice	1.9 mm <sup>2</sup>		
Ambient temperature	-5~+60°C (No freezing)		
Weight	62 g	61 g	66 g

## Order example

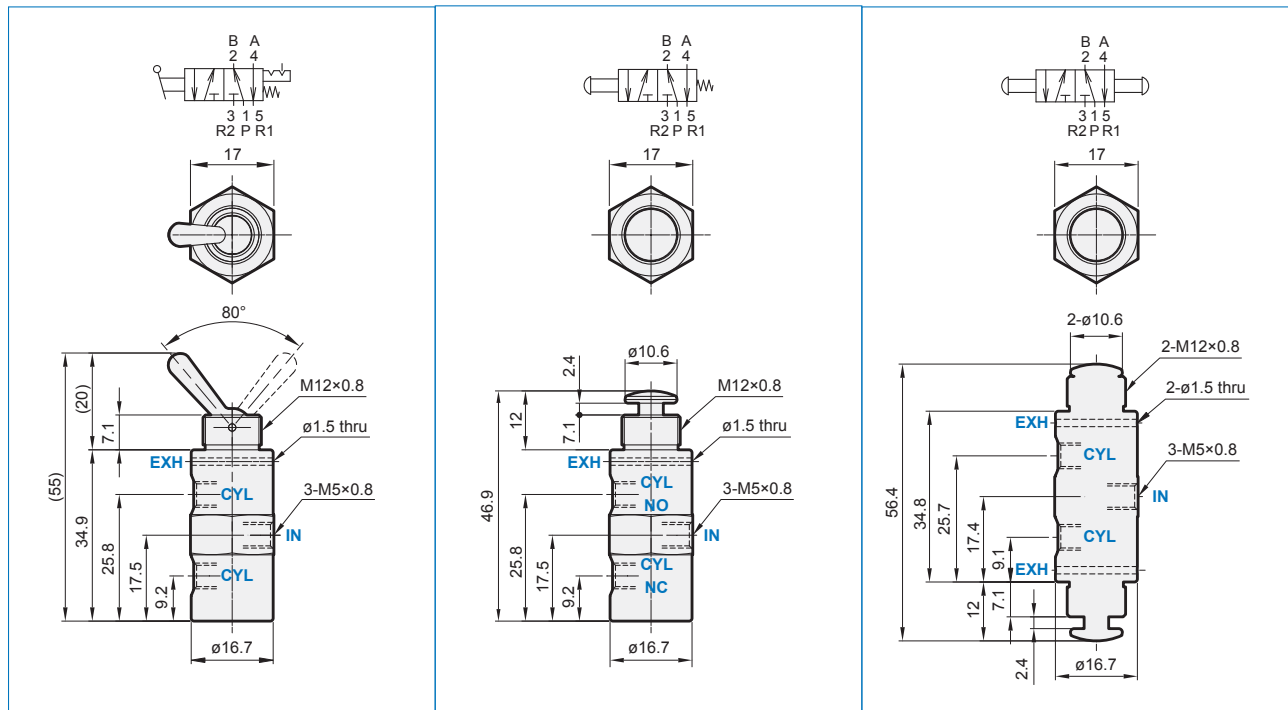
MVHA — 4V



### MVHA-4V

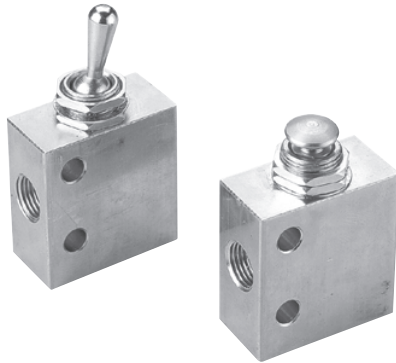
### MVHA-4P

### MVHA-4PP



# MVHA-31\* series

HAND VALVE



## Specification

Model	MVHA-31V	MVHA-31P
Bore No.	6A	
Port size	1/8	
No. of port	3	
No. of position	2	
Medium	Air	
Operating pressure range	0~0.9 MPa	
Effective orifice	4.5 mm <sup>2</sup>	
Ambient temperature	-5~+60°C (No freezing)	
Weight	53 g	50 g

## Order example

MVHA - 31V - G

MODEL

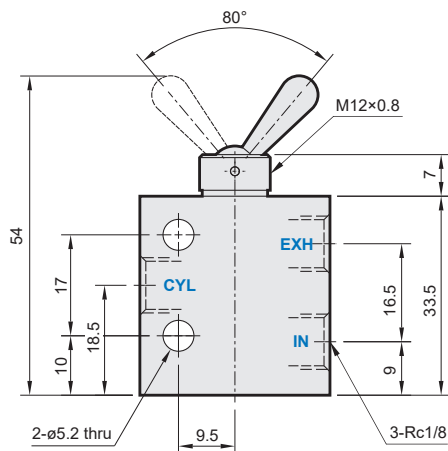
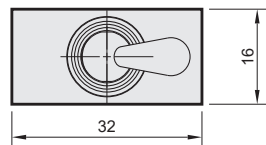
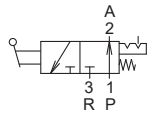
3: 3way (3 port)

V: V toggle  
P: Push button

PORT THREAD  
Blank: Rc thread  
G: G thread  
NPT: NPT thread

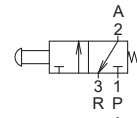
### MVHA-31V

NO

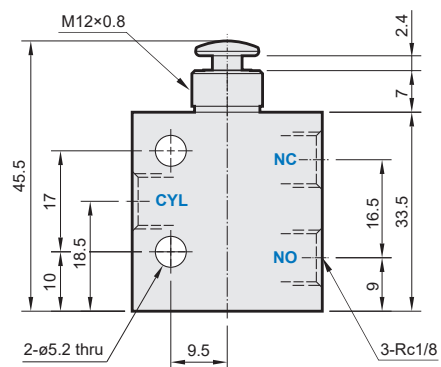
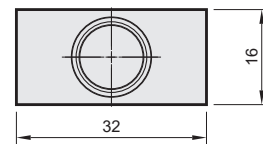
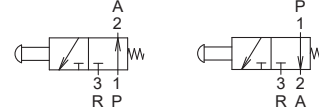


### MVHA-31P

NC



NO



# MVHA-41\* series

HAND VALVE



## Specification

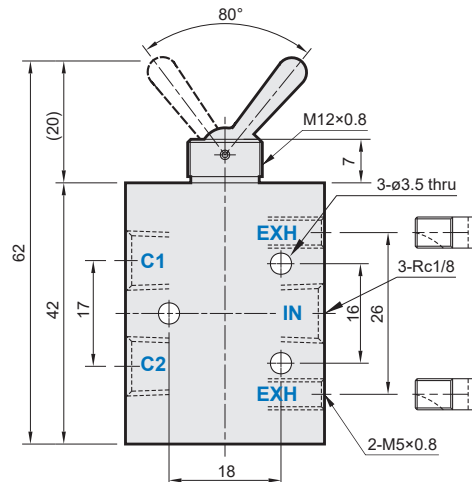
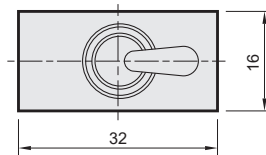
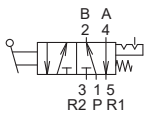
Model	MVHA-41V	MVHA-41P	MVHA-41PP
Bore No.	6A		
Port size	1/8		
No. of port	5		
No. of position	2		
Medium	Air		
Operating pressure range	0~0.9 MPa		
Effective orifice	5.5 mm <sup>2</sup>		
Ambient temperature	-5~+60°C (No freezing)		
Weight	64 g	58 g	76 g

## Order example

**MVHA - 41V - G**

- MODEL
- 4: 4way (5 port)
- V: V toggle  
P: Push button  
PP: Double push button
- PORT THREAD  
Blank: Rc thread  
G: G thread  
NPT: NPT thread

## MVHA-41V

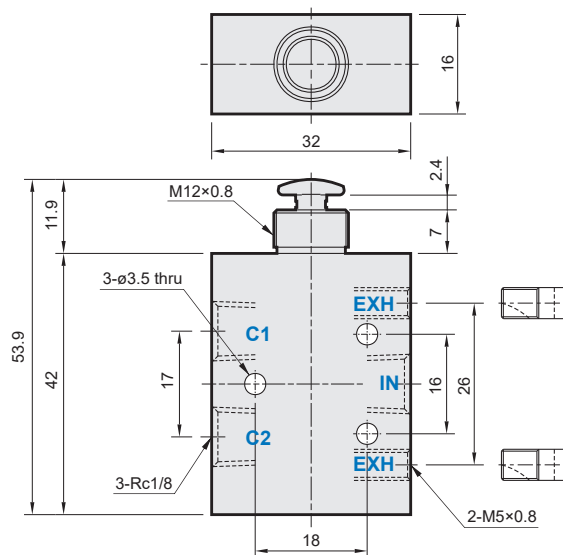
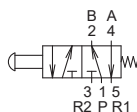


# MVHA-41\* Dimensions

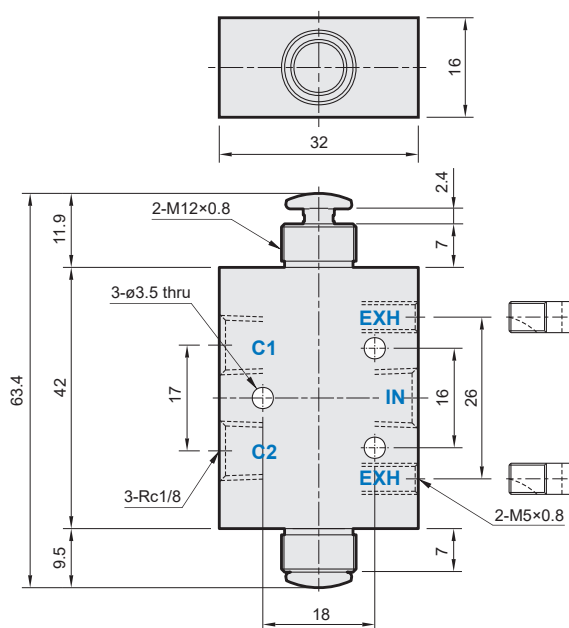
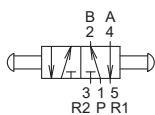
HAND VALVE



## MVHA-41P



## MVHA-41PP



(TAC SERIES)

# MVHA series Manual / Mech. Operator



HAND VALVE

mindman

## Order example

### MVHA – 34T

MODEL

Model	34T	34C	34CW	34B	34A
Shape					
Weight	20 g	15 g	15 g	15 g	28 g

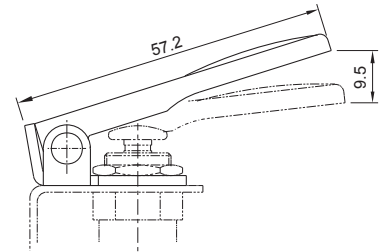
### 34T

Fingertip operator



The 34T Operator may be used with any TAC series push-button valve to provide easier actuation.

Materials : Nickel-plated steel



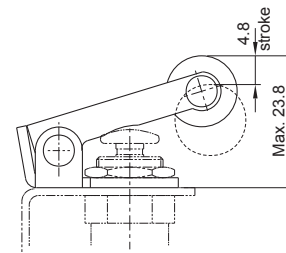
### 34C

Cam operator



The 34C Operator Cam-stroke is two times by the valve's push-stroke. Adjustment of roller height is made through the use of a mounting bracket and Locknuts.

Materials : Level...Nickel-plated steel  
Roller...POM



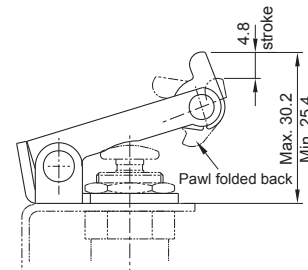
### 34CW

One-way cam operator



The 34CW Operator actuates valves when the pawl is contacted from lever side. The pawl then folds out of the way in the opposite direction.

Materials : Level...Nickel-plated steel  
Pawl...POM



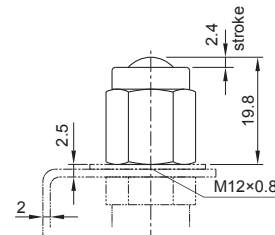
### 34B

Ball operator



The 34B Operator threads onto the collar of push-button valves. The mounting bracket thickness plus the washer thickness properly spaces the operator to prevent prestroking of button.

Materials : Body...Nickel-plated brass  
Ball...Chrome steel



### 34A

Air pilot operator



The 34A Operator threads directly onto the collar of push-button valves. The air pressure applied to the pilot port drives piston to actuates the valve's push-button.

Materials : Nickel-plated brass

